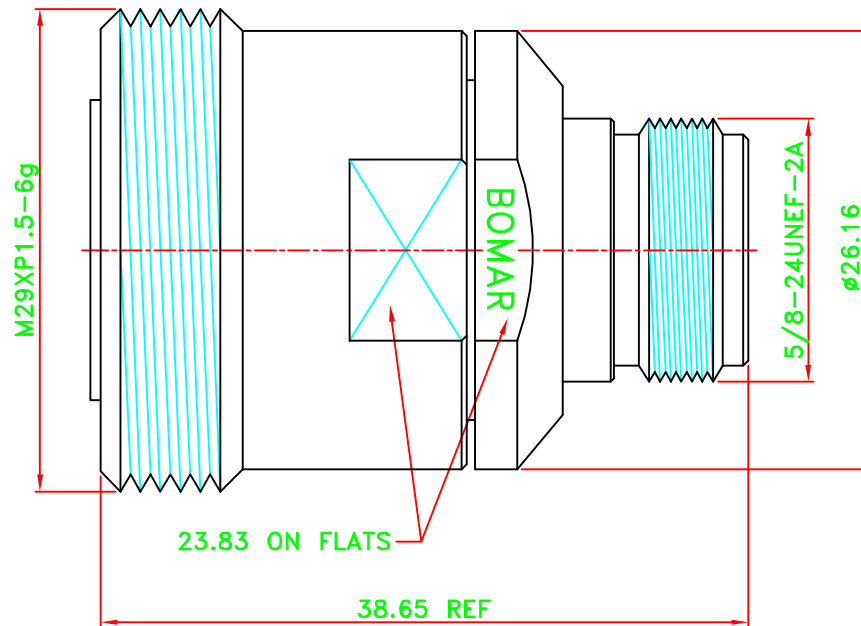


REV	DESCRIPTION\PER REQUEST	DRAWN	DATE



NOTES: FINISH (PLATING THICKNESS IN MICRO-INCHES)
 1.COPPER-TIN-ZINC PL. 80 MIN THICK

6	Dielectric	1	Teflon	None
5	Dielectric	1	Teflon	None
4	Pin	1	Brass	Gold
3	Pin	1	Beryllium	Gold
2	Body	1	Brass	NOTE 1
1	Body	1	Brass	NOTE 1
<i>NO</i>	<i>Description</i>	<i>Q'ty</i>	<i>Material</i>	<i>Finish</i>

PART NO.	153215011
APPROVED	DATE 10/24/08
CHECKED	DATE 10/24/08
DRAWN	DATE 10/24/08
	Kai

* MAJOR DIMENSION
UNLESS OTHERWISE NOTED TOLERANCES
0.5-6=±0.2
6-30=±0.4
30-120=±0.6
120-315=±1.0
ANGLES=±1°
SCALE 5/2
UNIT mm

Bomar Interconnect Products, Inc	
TITLE	7/16 JACK TO N JACK ADAPTER
DRAWING NO.	153215011
REV	B
FILE NO. W:\DWG\COMPOSE\716\716-2215	